

# SIEMENS

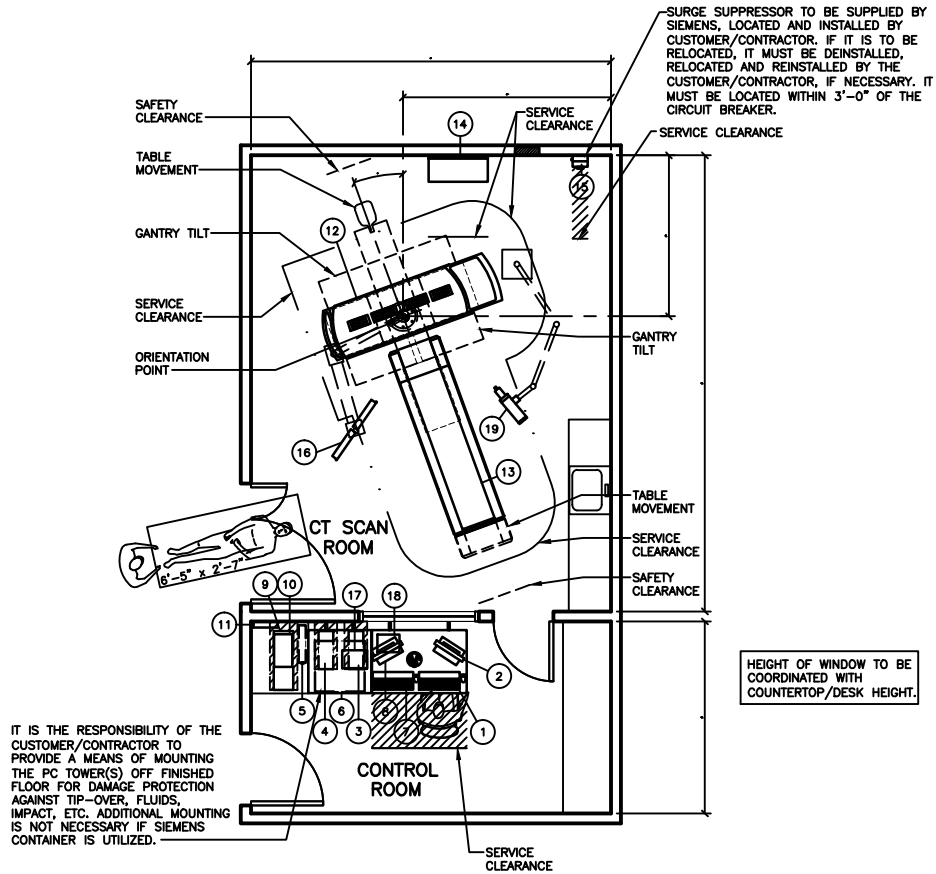
## SOMATOM EMOTION 16 (2007) TYPICAL ROOM PLAN

---



The intended use for this Cut Sheet is to communicate the spatial requirements as well as the basic architectural, electrical, structural, and mechanical requirements for this piece of imaging equipment. The information provided in this document is for reference only, during the pre-planning stage, and therefore does not contain any site specific detailed requirements. This information is subject to change without notice. Federal, state and/or local requirements may impact the final placement of the components. It is the customer's responsibility to ensure that the final layout and placement of the equipment complies with all applicable requirements.

## SOMATOM EMOTION 16 (2007) TYPICAL ROOM PLAN



TYPICAL PLAN

SCALE: 1/8" = 1'-0"

## SOMATOM EMOTION 16 (2007) SPECIFICATIONS

EQUIPMENT LEGEND								
NO	DESCRIPTION	SMS SYM	WEIGHT (LBS)	BTU/HR TO AIR	DIMENSIONS (INCHES)			REMARKS
					W	D	H	
①	OPERATING CONSOLE W/KEYBOARD AND CONTROL BOX	⊖	69	**	47 1/4	31 1/2	30 3/8	
②	19" FLAT SCREEN CONTROL MONITOR	⊖	20	**	16 9/16	8 1/4	16 1/16	ON CONSOLE/COUNTER
③	IMAGE CONTROL SYSTEM	⊖	<66	2,389**	7 5/16	18 15/16	17	***TOTAL
④	IMAGE RECONSTRUCTION SYSTEM	⊖	<55	**	7 5/16	19	17	
⑤	UPS FOR IMS	⊖	65	**	3 1/2	19	17	
⑥	IMS CONTAINER (OPTION)	⊖	161	---	31 7/8	31 1/2	30 3/8	HOUSING FOR ICS/IRS
⑦	IMAGE EVALUATION KEYBOARD (OPTION)	⊖	-	---	---	---	---	ON CUSTOMER'S COUNTER
⑧	19" FLAT SCREEN EVALUATION MONITOR (OPTION)	⊖	20	***	16 9/16	8 1/4	16 1/16	ON CONSOLE/COUNTER
⑨	IMAGE EVALUATION SYSTEM (OPTION)	⊖	<66	2,133***	9 13/16	29 1/2	18 1/2	***TOTAL
⑩	UPS FOR IES (OPTION)	⊖	36	171	9 3/16	16 7/16	5 13/16	
⑪	ETHERNET SWITCH (OPTION)	⊖	3	---	9 1/8	1 3/8	5 5/8	WALL MOUNTED
⑫	SOMATOM EMOTION 16 GANTRY/PDS (2007)	⊖	2,615	23,203*	90 9/16	27	71 9/16	*TOTAL
⑬	PATIENT TABLE	⊖	950	*	97 3/8	27 1/2	19 5/8	MAX. HEIGHT 35"
⑭	LINE CONNECTION BOX	⊖	260	1,365	29 1/2	11 3/4	32	
⑮	EATON SURGE PROTECTIVE DEVICE PANEL (OPTION)	⊖	13.5	---	7 1/2	6 11/16	12	WALL MOUNTED
⑯	CARE VISION DUAL MONITOR (OPTION)	⊖	174	---	---	---	---	CEILING MOUNTED
⑰	MEDRAD DISPLAY CONTROL UNIT (OPTION)	⊖	8	---	12 1/2	9	13 1/2	HEIGHT WITH SCREEN UP
⑱	MEDRAD BASE UNIT (OPTION)	⊖	14	---	11	8 3/4	11 1/2	UNDER COUNTER ON SHELF
⑲	CEILING MOUNTED MEDRAD INJECTOR (OPTION)	⊖	106	---	---	---	---	SEE MFG SPECIFICATIONS

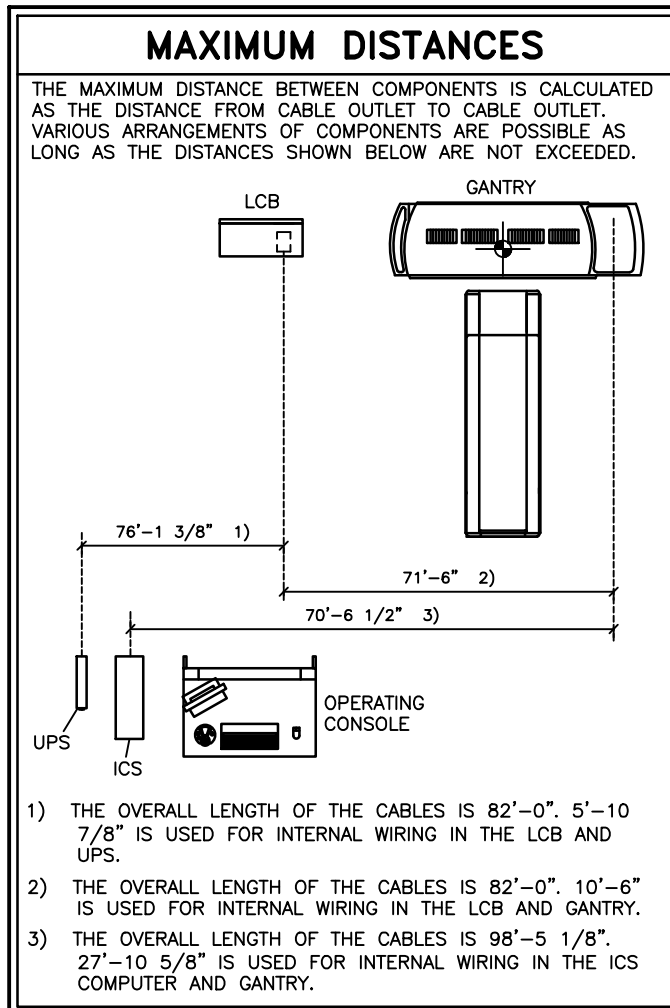
FINISHED ROOM HEIGHT	
FOR CT GANTRY ONLY	MINIMUM 7'-3"
CAREVISION MONITOR/CEILING MOUNT	MIN. 8'-6 3/8" MAX. 12'-1 11/16"

REMOTE SYSTEM DIAGNOSTICS
SIEMENS REMOTE SERVICES (SRS) REQUIRES A CONNECTION BETWEEN THE SRS REMOTE SERVER AND SIEMENS SYSTEMS VIA REMOTE LOCAL AREA NETWORK ACCESS, TO ENSURE THE UPTIME OF YOUR SYSTEM.
THIS SERVICE REQUIRES ONE OF THE FOLLOWING CONNECTION METHODS:
1. (PREFERRED) VPN - WHERE THE CUSTOMER HAS AVAILABLE A VPN CAPABLE FIREWALL OR OTHER VPN APPLIANCE.
2. (OPTIONAL) *SRS ROUTER* - CONNECTED TO ANALOG PHONE LINE VIA *ANALOG MODEM*, ETHERNET CONNECTION TO CUSTOMER'S LAN, AND A POWER OUTLET.
NOTE: = *SUPPLIED BY SIEMENS*

## SOMATOM EMOTION 16 (2007) SPECIFICATIONS

POWER REQUIREMENTS				
SYSTEM	SUPPLY VOLTAGE (VOLTS)	POWER CONSUMPTION (kVA)	SUPPLY IMPEDANCE (mΩ)	MAIN CIRCUIT BREAKER (AMPS)
GANTRY WITH PATIENT TABLE	3φ 480±10%	SEE BELOW	≤ 320	80
<p><b>POWER CONSUMPTION GANTRY WITH PATIENT TABLE</b>                      OPERATING FOR 10 SEC. – ≤ 70 kVA                      OPERATING FOR 60 SEC. – ≤ 35.7 kVA                      STAND-BY – ≤ 3 kVA</p> <p><b>POWER CONSUMPTION IMS (IRS, ICS AND MONITOR)</b>                      MAXIMUM IN OPERATION – ≤ 0.50 kVA                      STAND-BY – ≤ 0.50 kVA</p> <p>THE IMAGING SYSTEM IMS (ICS, IRS AND MONITOR) MUST BE CONNECTED VIA THE UPS TO THE LCB (230 VOLT SUPPLIED BY LCB). THE FUSE IS ALREADY INTEGRATED IN THE LCB.</p> <p>DO NOT CONNECT ANY EXTERNAL USERS TO THE CT POWER LINE.</p> <p>THE EXAMINATION ROOM SHOULD BE EQUIPPED WITH AT LEAST ONE EMERGENCY POWER OFF (PANIC) BUTTON.</p>				

CASEWORK & ACCESSORY NOTES
<ol style="list-style-type: none"> <li>ALL CASEWORK IS EITHER EXISTING OR IS TO BE DESIGNED, DETAILED, FURNISHED AND INSTALLED BY THE CUSTOMER AND/OR CONTRACTOR. FOLLOW DESIGN RECOMMENDATIONS INCLUDED HEREWITH, AS THEY ARE ESSENTIAL FOR THE SUCCESSFUL INSTALLATION &amp; OPERATION OF THE SIEMENS EQUIPMENT.</li> <li>THE SOUND SYSTEM AND INTERCOM BETWEEN THE EXAMINATION AND CONTROL ROOMS ARE TO BE LOCATED, FURNISHED AND INSTALLED BY THE CUSTOMER/CONTRACTOR.</li> <li>ALL FURNITURE (CHAIRS, ETC.) FOR THE CONTROL ROOM ARE TO BE PROVIDED BY THE CUSTOMER.</li> </ol>



## SOMATOM EMOTION 16 (2007) SPECIFICATIONS

### DELIVERY

#### TRANSPORTING INFORMATION:

TOTAL GANTRY TRANSPORT WEIGHT: 2,891 LBS.

GANTRY WITHOUT TRANSPORT DEVICE: 2,615 LBS.  
TRANSPORT DEVICE: 276 LBS.

GANTRY TRANSPORTING WIDTH: 4'-8 3/4" MAXIMUM.  
2'-9 1/4" MINIMUM.

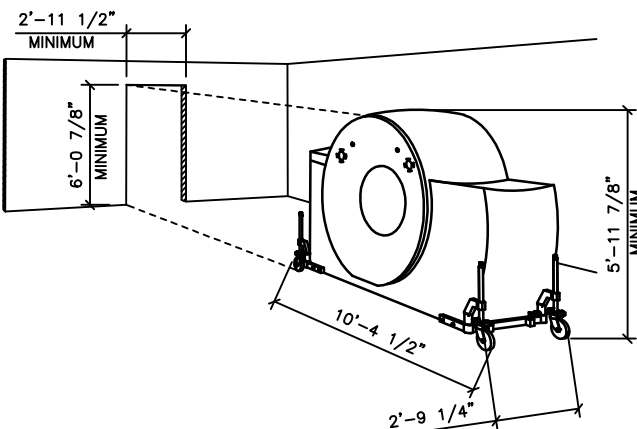
GANTRY TRANSPORTING LENGTH: 10'-4 1/2" MAXIMUM.  
8'-5 1/4" MINIMUM.

#### NORMAL TRANSPORT REQUIREMENTS:

DURING THE MOVEMENT OF THE GANTRY THROUGH CORRIDORS THE TRANSPORT CASTERS ARE SWIVELED OUT FOR STABILITY. SEE MAXIMUM WIDTH AND MINIMUM LENGTH ABOVE FOR TRANSPORT CASTERS SWIVELED OUT.

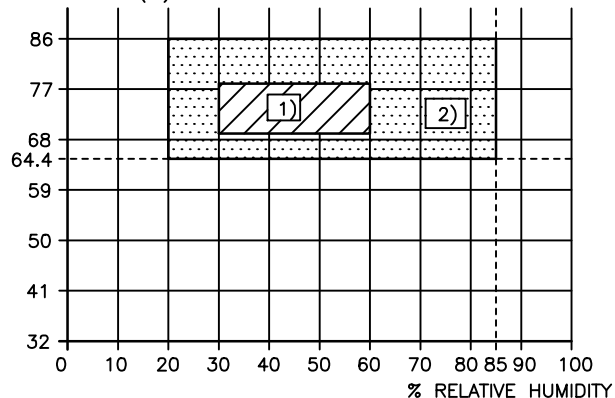
#### NARROW SPACE TRANSPORT REQUIREMENTS:

WHEN TRANSPORTING THE GANTRY THROUGH A NARROW SPACE OR DOORWAY THE TRANSPORT CASTERS ARE SWIVELED IN AS SHOWN IN THIS SKETCH.



### ENVIRONMENTAL SPECIFICATIONS

#### TEMPERATURE (°F)



- 1) RECOMMENDED OPERATING CONDITIONS
- 2) REQUIRED OPERATING CONDITIONS

#### TEMPERATURE, HUMIDITY, DUST, AIR CONTAMINATION:

REFER TO THE CLIMATOGRAM ABOVE FOR THE PERMITTED CLIMATE RANGE.

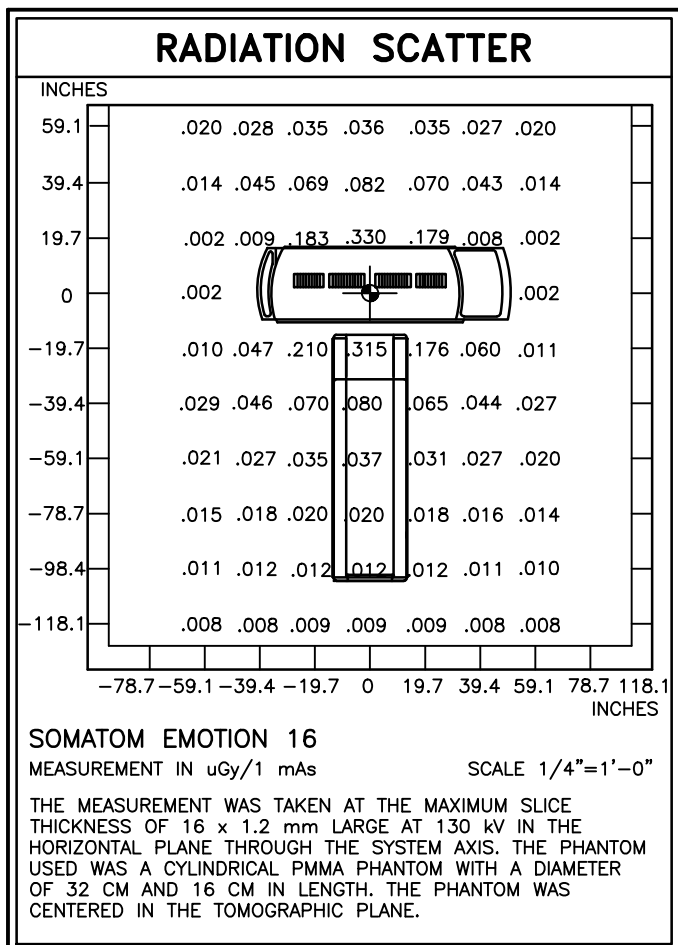
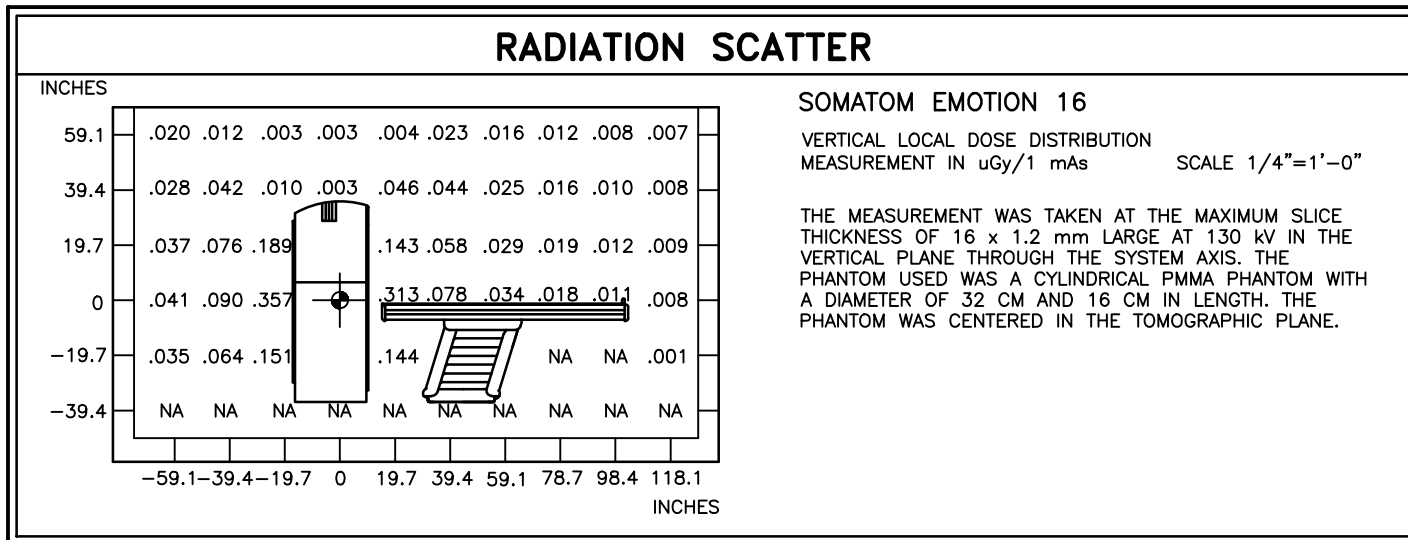
THE MAXIMUM TEMPERATURE GRADIENT IS 6 KELVIN PER HOUR.  
ATMOSPHERIC PRESSURE: 10 TO 15 PSI

THE OPTIMAL ENVIRONMENT FOR THE OPERATOR AND THE SYSTEM IS 75°F WITH A RELATIVE HUMIDITY OF 30-60%.

EXTERIOR AIR VENTS SHOULD BE EQUIPPED WITH A FILTRATION SYSTEM OF THE FILTER CLASS MERV 8 TO FILTER DUST PARTICLES >10 µm.

THE ROOM AIR SHOULD BE PROTECTED AGAINST CONTAMINATION BY HYDROGEN SULPHIDE, EVEN IN SMALL AMOUNTS. IF A DANGER OF SUCH CONTAMINATION EXISTS, CORRECTIVE ACTIONS HAVE TO BE TAKEN. E.G., EXTRACTOR FANS, SIPHON, MODIFICATION OF VENTILATION INTAKE, ETC..

## SOMATOM EMOTION 16 (2007) SPECIFICATIONS



### FOR MORE INFORMATION

FOR MORE DETAILED PLANNING REQUIREMENTS FOR THIS SYSTEM, SEE THE TYPICAL FINAL DRAWING SET NUMBER: 07130